



PERI Ergo Steel Slab Props

Robust

PERI props can carry up to 50 kN

Trend-setting

Adjusting nut with lowering nib and captive handgrip

Well thought-out

Prop heads can be mounted on the inner and outer tubes



**Formwork
Scaffolding
Engineering**

www.periqatar.com

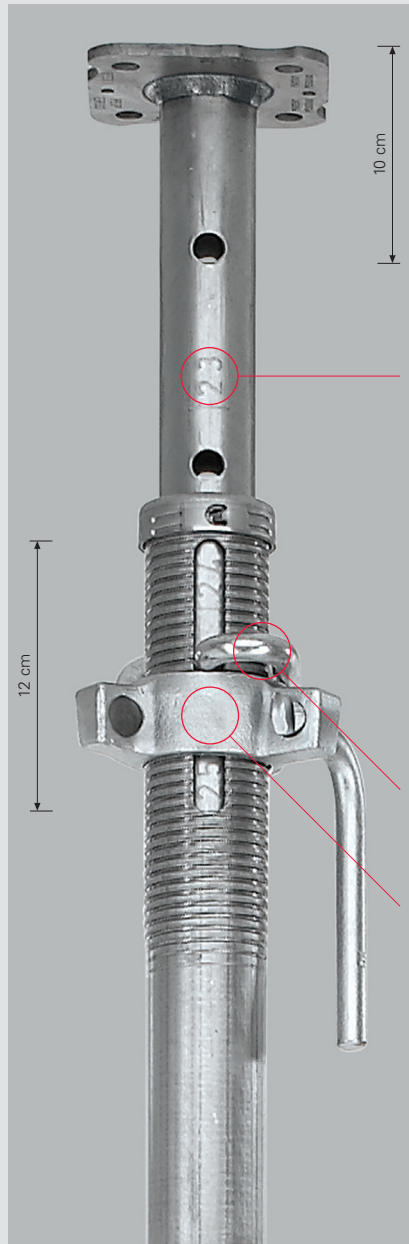
PEP Ergo Steel Slab Props – Made of galvanized steel with high load-bearing capacity and low weight

Galvanized tubular steel props with numerous practical features for fast and safe handling. The complete galvanization of all surfaces guarantees a long service life. The low weight whilst maintaining a high load-bearing capacity makes it extremely cost-effective.



The shape of the lowering nut shows the direction for lowering when under load and allows damage-free and gentle lowering of materials.

- PEP Ergo props fully comply with Load Class B, D, E of DIN EN 1065
- Available in lengths of 1.50 m, 2.50 m, 3.00 m, 3.50 m, 4.00 m and 5.00 m
- Generous 12 cm adjustment range
- Anti-crush device with a safety clearance of 10 cm provides protection against injury
- Long service life through complete galvanization
- Tripods or frames available as installation aids



Low risk of injury

The integrated 10 cm safety clearance protects against injuries.

Stamped measuring scale

For faster prop length adjustment Stamped numbers on the inner tube show the overall length in dm, readable at the end of the outer tube.

Generous adjustment range

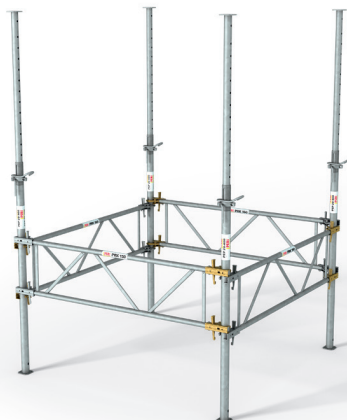
The large adjustment range of 12 cm makes frequent pin adjustment unnecessary

Good handling

The G-hook is ergonomically formed and can be securely clamped.

Three-wing nut

High-quality nut with hardened bearing surface and triple-start thread for easy loosening even under full load.



In addition to the tripod, the PRK frame can be used as an assembly aid.



PERI Qatar LLC Formwork Scaffolding Engineering

New Industrial Area
Zone 81, St. 9, Bldg. 51
P.O.Box: 31295
Doha – Qatar
Tel. +974 4411.4816/7
Fax +974 4411.4348
info@periqatar.com
www.periqatar.com