

VARIO GT 24 Column Formwork

All heights, all cross-sections

Continuously variable

Column cross-sections from 24 cm x 24 cm up to 80 cm x 120 cm

Standardized

Only 2 ties per waler position from the VARIO programme

Robust

Designed for a fresh concrete pressure of 100 kN/m², adaptable to suit higher concrete pressures



**Formwork
Scaffolding
Engineering**

www.periqatar.com

VARIO GT 24 Column Formwork – For all heights and all cross-sections, regardless whether square or rectangular-shaped

With the PERI VARIO GT 24 column formwork, a very wide range of cross-section dimensions and concreting heights can be shuttered without any time-consuming adjustment work.

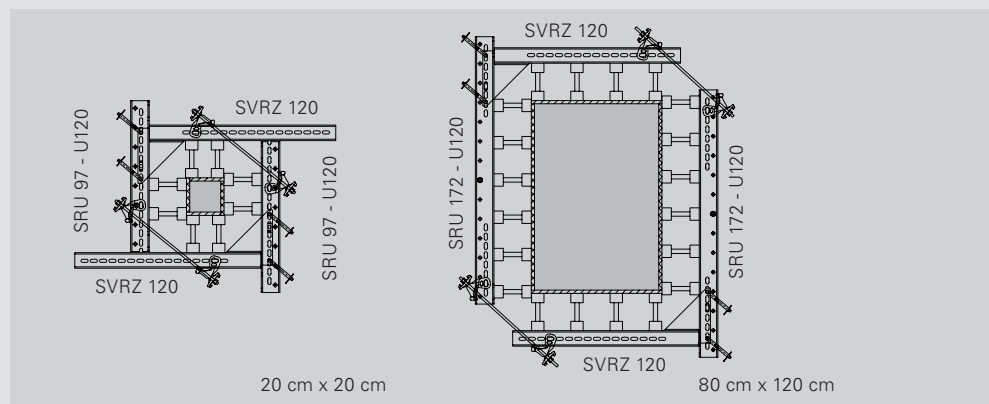
- Rectangular and square cross-sections, continuously adjustable up to 80 cm x 120 cm
- Permissible fresh concrete pressure 100 kN/m²
- Construction with VARIO standard components as well as wedges and tie yokes
- Free choice of formlining



Excellent architectural concrete finishes can be achieved using the proven VARIO GT 24 system together with high quality Fin-Ply 21 mm formlining.



Larger dimensions are possible by using special walers. This column forms with dimensions of up to 112 cm x 180 cm and 12.30 m height were delivered pre-assembled to the jobsite.



VARIO Column Formwork can be built with Steel Walers SVRZ 120 (U100) in connection with SRU Steel Walers U120. This combination allows for columns up to 80 cm x 120 cm.



PERI Qatar LLC
Formwork Scaffolding Engineering
 New Industrial Area
 Zone 81, St. 9, Bldg. 51
 P.O.Box: 31295
 Doha – Qatar
 Tel. +974 4411.4816/7
 Fax +974 4411.4348
 info@periqatar.com
 www.periqatar.com